



CONTACT US: (626)444-2649

FAX: (626)602-7571

WEB SITE:

www.premiersteelfabrication.com

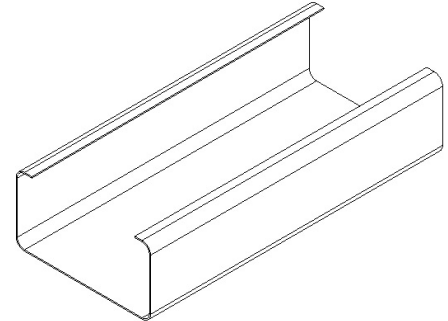
Premier Steel C-Studs

Geometric Properties

"C" studs are fabricated in several web widths and flange heights. All Premier Steel structural and non-structural studs are produced from hot-dipped galvanized steel in G40 or G60 coating. G90 is available on request.

Steel Thickness

Mil Thickness	Y, ksi	Design Thickness, inches (mm)	Min Thickness, inches (mm)
18 (25GA)	33	0.0188 (0.48mm)	0.0179 (0.46mm)
30 (20GA)	33	0.0296 (0.751mm)	0.0300 (0.762mm)
33 (20GA)	33	0.0346 (0.88mm)	0.0329 (0.83mm)
43 (18GA)	33	0.0451 (1.14mm)	0.0428 (1.09mm)
54 (16GA)	50	0.0566 (1.44mm)	0.0538 (1.37mm)
68 (14GA)	50	0.0713 (1.81mm)	0.0677 (1.72mm)
97 (12GA)	50	0.1017 (2.58mm)	0.0966 (2.45mm)



- 1) Uncoated Steel Thickness is for carbon steel
- 2) Minimum Thickness represents 95% of the design thickness and is the minimum acceptable thickness delivered to the job site based on the Section A4.3 of the AISI S100-2007

Color Code (painted on ends)

18 Mil: None 54 Mil: Green
 30 Mil: Red 68 Mil: Orange
 33 Mil: Red 97 Mil: Red
 43 Mil: Yellow

ASTM & Code Standards

A653/653M; A924/A924M & A1003/A1003M, C955, C1007
 INTERTEK CCRR-0224

LEED Points and Recycled Content

By using Premier Steel Products your project can contribute to earning LEED points for:

- 1) LEED MR 2.1 and 2.2: Construction Waste Management: Up to 2 points.
- 2) LEED MR 4.1 and 4.2 Recycled Content: Up to 2 points.
- 3) LEED MR 5.1 and 5.2: Regional Materials

Premier Steel Products cold-formed steel framing products contain 30% to 35% recycled steel.

These products are produced from steel consisting of the following contents:

- 1) Total Recycled Content: 32.9%
- 2) Post-Consumer Content: 25.6%
- 3) Pre-Consumer Content: 6.8%

